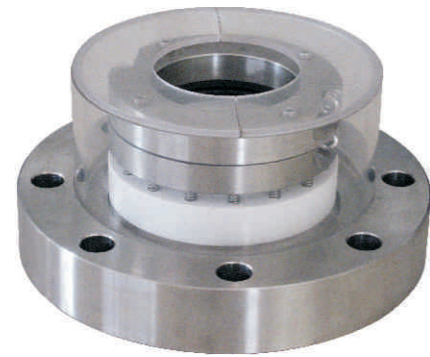


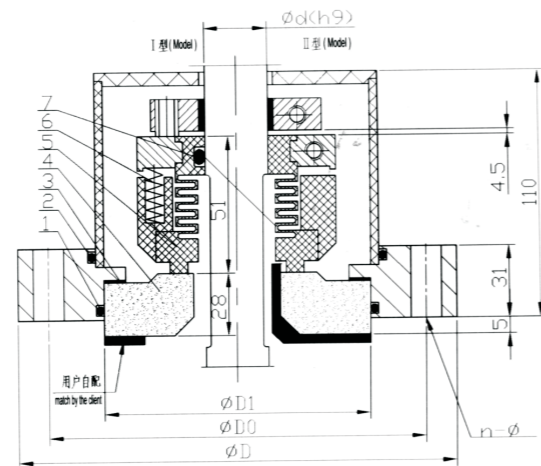
## M212B5干磨型机械密封

M212B5 mechanical seal

本厂专利: ZL200620165191.8  
Patent No.: ZL200620165191.8



HG/T2057《搪玻璃搅拌容器用机械密封》标准制定单位  
HG/T2057 Standard constituent of glass lining mixing vessel mechanical seal



### 适用范围

Application  
制药、食品用立式反应釜。  
Pharmaceutical and food industries

### 使用参数

#### OPERATION PARAMETERS

设计压力: PNO~0.5MPa  
Design pressure: PNO~0.5MPa  
设计温度: -40~120°C  
Design temperature: -40~120°C  
设计转速: 2m/s  
Design rotating speed: 2m/s  
轴径: 30~220mm  
Shaft diameter: 30~220mm  
介质: 除氢氟酸、结晶性外的强  
腐蚀工况。

Medium: Suitable for a variety of highly corrosive working conditions excluding hydrofluoric acid and crystallinity.

### 结构特点

干磨式设计没有密封液污染物料。  
独特的密封面材料配方保证长久可靠运行。  
与介质接触部均为耐强腐蚀材料。

#### Structure features

Dry seal without any pollution such as sealing liquid.  
Special material ensures stable running and long service life.  
Anti-corrosion materials are used for the parts which contact the medium.

#### 易损件明细

- Wearing parts details
1. 静环O型圈  
O ring for Stationary ring
  2. 观察罩O型圈  
O ring for observing cover
  3. 静环垫片  
Gaskets for stationary ring
  4. 静环  
Stationary ring
  5. 波纹管动环  
Rotary bellows
  6. 弹簧  
Springs
  7. 动环O型圈  
O ring for rotary parts

d	D1	D0	D	n-φ	标准 Standard
40	100	130	160	4-18	79.91
50	120	150	185	4-18	79.91
65	140	170	205	4-18	79.91
80	160	200	235	8-18	79.91
95	175	200	235	8-18	79
		225	265	8-18	91
110	200	225	265	8-18	79
		280	320	8-18	91
125	230	280	320	8-18	79.91
140	280	335	375	12-18	79.91

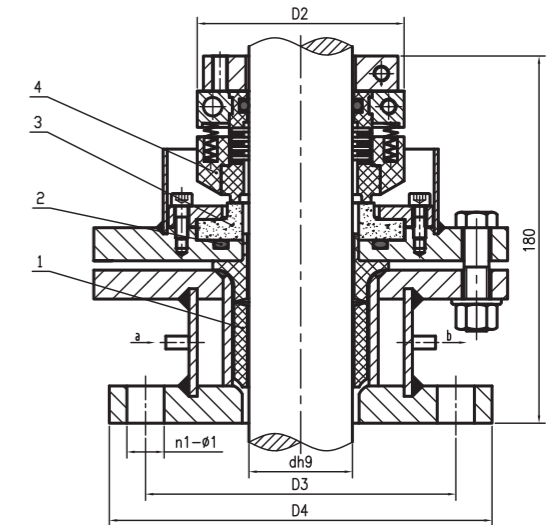
## M212B1型机械密封

M212B1 mechanical seal

本厂专利: ZL97234221.4  
Patent No.: ZL97234221.4



HG/T2057《搪玻璃搅拌容器用机械密封》标准制定单位  
HG/T2057 Standard constituent of glass lining mixing vessel mechanical seal



### 适用范围

Application  
立式搪玻璃反应釜。  
Vertical glass lining reactor

### 使用参数

#### OPERATION PARAMETERS

设计压力: 0~0.5MPa  
Design pressure: 0~0.5MPa  
设计温度: -40~180°C  
Design temperature: -40~180°C  
设计转速: 2m/s  
Design rotating speed: 2m/s  
轴径: 30~180mm  
Shaft diameter: 30~180mm  
介质: 除氢氟酸、结晶性外的强  
腐蚀工况。

Medium: Suitable for a variety of highly corrosive working conditions excluding hydrofluoric acid and crystallinity.

### 结构特点

机封带抗偏摆结构,能适应1.5mm以内的摆动。  
调整环均为分半结构安装更方便。  
与介质接触部均为耐强腐蚀材料。

#### Structure features

Anti-deflection structure adapts for swing within 1.5mm.  
Half ring structure ensuring easy installation.  
Anti-corrosion materials are used for the parts which contact the medium.

#### 易损件明细

- Wearing parts details
1. 中填料组件  
Packing parts
  2. 静环O型圈  
O ring for stationary ring
  3. 静环  
Stationary ring
  4. 动环组件  
Rotary parts

#### 管口明细

- Orifice details
- A. 冷却水进口  
Cooling water inlet
  - B. 冷却水出口  
Cooling water outlet

## 79标

d	D2	D3	D4	n1-φ
40	90	130	160	4-φ14
50	100	150	185	4-φ18
65	115	170	205	4-φ18
80	130	200	235	8-φ18
95	150	200	235	8-φ18
102	150	255	290	8-φ18
110	163	225	255	8-φ18
125	178	280	315	8-φ18
160	237	350	395	12-φ22

## 91标

d	D2	D3	D4	n1-φ
40	90	130	160	4-φ14
50	100	150	190	4-φ18
65	115	170	210	4-φ18
80	130	200	240	8-φ18
95	150	225	265	8-φ18
110	163	280	320	8-φ18
125	178	280	320	8-φ18
140	194	335	375	12-φ18