

2001B型机械密封

2001B mechanical seal

发明专利号:2011 2 0020843.X 2011 2 0020919.9

Patent no.: 2011 2 0020863.7

取代: M204B型.2001U型

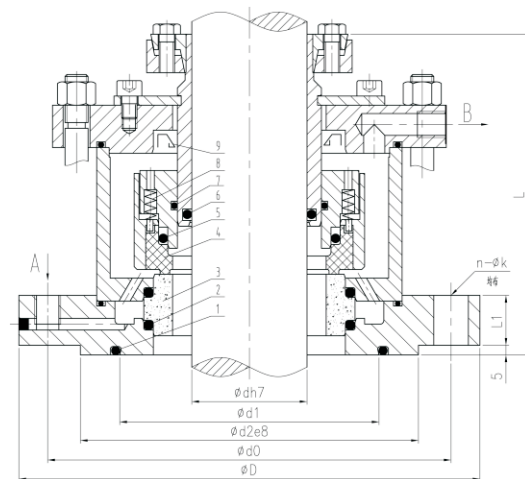
Instead of M204B and 2001U



模块化设计

Modularized design

HG/T2269《釜用机械密封技术条件》标准制定单位
HG./T2269 Standard constitutor of Reactor mechanical seal technical conditions



适用范围

Application

立式低压反应釜。
Vertical reactor

使用参数

OPERATION PARAMETERS

设计压力:PN-0.1~0.6MPa

Design pressure: PN-0.1~0.6MPa

设计温度:-40~180°C (320°C)

Design temperature:-40~180°C (320°C)

当温度超过180°C时须增加冷却水箱, 安装高度增加80mm

is needed and the mounting height will increase by 80mm.

设计转速: 2m/s

Design rotating speed: 2m/s

介质:根据配置不同可适用于强腐蚀性

介质。

Medium: Suitable for a variety of highly corrosive

working conditions by different configurations.

结构特点

集装式结构, 模块化设计, 传动没有方向性。只需更换釜口部位的材质就可以适合不同介质的需要, 零件通用性强。下法兰按不同标准生产就可以适用不同标准的反应釜。

Structure features

Cartridge structure, modularization design and Non-directional transmission. High universality parts. Suitable for different mediums and different sizes by change the materials or sizes of the connecting flanges.

易损件明细

Wearing parts details

1. 釜口密封圈
Sealing ring for connecting flange
2. 静环密封圈
Sealing ring for stationary ring
3. 静环
Stationary ring
4. 动环
Rotary ring
5. 动环密封圈
Sealing ring for rotary ring
6. 轴套密封圈
Sealing ring for shaft sleeve
7. 弹簧座密封圈
Sealing ring for spring retainer
8. 弹簧
Springs
9. 骨架油封
Framework oil seal

管口明细

Orifice details

- A. 密封液进口
Sealing liquid inlet (G $\frac{1}{4}$ ")
- B. 密封液出口
Sealing liquid outlet (G $\frac{1}{4}$ ")

d	d1	d2	d0	D	L1	L	n-φ
30	75	110	145	175	22	145	4-18
40	75	110	145	175	22	145	4-18
50	135	176	210	240	22	145	8-18
60	135	176	210	240	26	170	8-18
70	135	176	210	240	26	170	8-18
80	155	204	240	275	26	170	8-22
90	190	234	270	305	26	170	8-22
100	190	234	270	305	26	170	8-22
110	215	260	295	330	26	170	8-22
120	215	260	295	330	26	170	8-22
130	215	260	295	330	26	170	8-22
140	250	313	350	395	30	180	12-22
150	265	313	350	395	30	180	12-22
160	265	313	350	395	30	180	12-22
180	310	364	400	445	30	190	12-22
200	310	364	400	445	30	190	12-22
220	340	422	460	505	30	190	16-22

2002B型机械密封

2002B mechanical seal

发明专利号2011 2 0020843.X 2011 2 0020919.9

Patent no.: 2011 2 0020863.7

取代: M204B型.2002U型

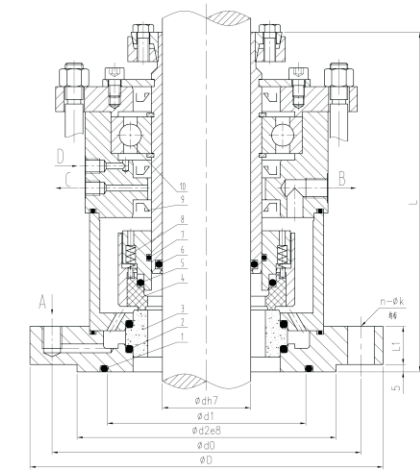
Instead of M204B and 2002U



模块化设计

Modularized design

HG/T2269《釜用机械密封技术条件》标准制定单位
HG./T2269 Standard constitutor of Reactor mechanical seal technical conditions



适用范围

Application

立式低压反应釜。
Vertical reactor

使用参数

OPERATION PARAMETERS

设计压力:PN-0.1~0.6MPa

Design pressure: PN-0.1~0.6MPa

设计温度:-40~180°C (320°C)

Design temperature:-40~180°C (320°C)

当温度超过180°C时须增加冷却水箱, 安装高度增加80mm

is needed and the mounting height will increase by 80mm.

设计转速: 2m/s

Design rotating speed: 2m/s

介质:根据配置不同可适用于强腐蚀性

性介质。

Medium: Suitable for a variety of highly corrosive

working conditions by different configurations.

结构特点

集装式结构, 模块化设计, 传动没有方向性。只需更换釜口部位的材质就可以适合不同介质的需要, 零件通用性强。下法兰按不同标准生产就可以适用不同标准的反应釜。

Structure features

Cartridge structure, modularization design and Non-directional transmission. High universality parts. Suitable for different mediums and different sizes by change the materials or sizes of the connecting flanges.

易损件明细

Wearing parts details

1. 釜口密封圈
Sealing ring for connecting flange
2. 静环密封圈
Sealing ring for stationary ring
3. 介质端静环
Stationary ring
4. 动环
Rotary ring
5. 动环密封圈
Sealing ring for rotary ring
6. 轴套密封圈
Sealing ring for shaft sleeve
7. 弹簧座密封圈
Sealing ring for spring retainer
8. 弹簧
Springs
9. 骨架油封
Framework oil seal
10. 轴承
Bearing

管口明细

Orifice details

- A. 密封液进口 (G $\frac{1}{4}$ ")
Sealing liquid inlet
- B. 密封液出口 (G $\frac{1}{4}$ ")
Sealing liquid outlet
- C. 泄漏液出口 (M10x1)
Leakage outlet
- D. 润滑油进口 (M10x1)
Lubricant inlet

d	d1	d2	d0	D	L1	L	n-φ
30	75	110	145	175	22	195	4-18
40	75	110	145	175	22	195	4-18
50	135	176	210	240	22	230	8-18
60	135	176	210	240	26	240	8-18
70	135	176	210	240	26	240	8-18
80	155	204	240	275	26	245	8-22
90	190	234	270	305	26	250	8-22
100	190	234	270	305	26	250	8-22
110	215	260	295	330	26	250	8-22
120	215	260	295	330	26	260	8-22
130	215	260	295	330	26	260	8-22
140	250	313	350	395	30	275	12-22
150	265	313	350	395	30	275	12-22
160	265	313	350	395	30	280	12-22
180	310	364	400	445	30	295	12-22
200	310	364	400	445	30	295	12-22
220	340	422	460	505	30	295	16-22