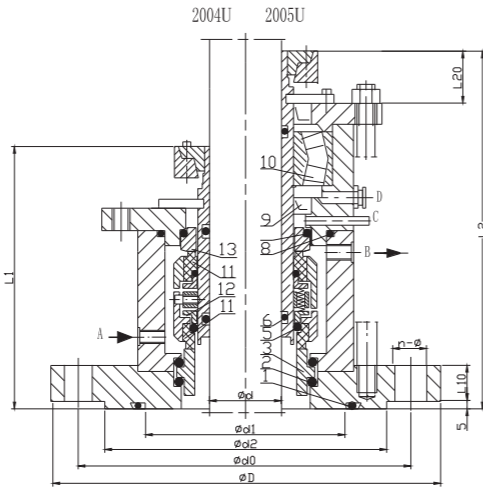


2004U、2005U型机械密封

2004U, 2005U mechanical seal

HG/T2269《釜用机械密封技术条件》标准制定单位
HG./T2269 Standard constitutor of Reactor mechanical seal technical conditions



适用范围

Application
立式反应釜、薄膜蒸发器等。
Vertical reactor and film evaporator.

使用参数

OPERATION PARAMETERS

设计压力:
Design pressure
2004U型PN-0.1~1.6MPa
2004U PN-0.1~1.6MPa
2005U型PN-0.1~1.6MPa
2005U PN-0.1~1.6MPa
设计温度: -40~180°C (320°C)
Design temperature: -40~180°C (320°C)
当温度超过180°C时须增加冷却水箱,
If the working temperature is above 180°C, A cooling plate
安装高度增加80mm
is needed and the mounting height will increase by 80mm.
设计转速: 2m/s
Design rotating speed: 2m/s
介质: 油、水、弱酸、弱碱、易燃、易爆
等工况。
Medium: Oil, water, weak acid, weak base, flammable
and explosive working conditions etc.

结构特点

集装式结构传动无方向性。
结构紧凑适用于标准机架。
冷却系统的综合考虑保证密封良好的运行环境。
选择轴承视机架情况而定。
压力超过0.3MPa需配辅助装置。

Structure features

Cartridge structure, modularization design and Non-directional transmission. Compact structure applies to standard mounting frames. Cooling system ensures good running. Bearing configuration depends on mounting frame size. Auxiliary device is needed if the working pressure exceeds 0.3Mpa.

易损件明细

Wearing parts details

1. 釜口O型圈
O ring for connection flange
2. 静环O型圈
O ring for Stationary ring
3. 介质端静环
Stationary ring
4. 介质端动环
Rotary ring
5. 动环密封圈
Sealing ring for rotary ring
6. 轴套O型圈
O ring for shaft sleeve
7. 弹簧
Springs
8. 密封箱体O型圈
O ring for housing
9. 骨架油封
Framework oil seal
10. 轴承
Bearing
11. 动环
Rotary ring
12. 弹簧
Springs
13. 大气端静环
Stationary ring

管口明细

Orifice details

- A. 密封液进口
Sealing liquid inlet
- B. 密封液出口
Sealing liquid outlet
- C. 泄漏液出口
Leakage outlet
- D. 轴承注油口
Oil inlet for bearing

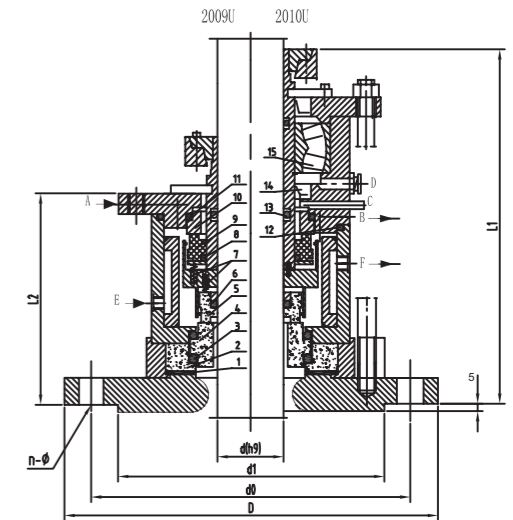
d	d1	d2	d0	D	L10	L1	L2	n-φ
30	90	110	145	175	18	150	215	4-18
40	90	110	145	175	18	155	220	4-18
50	135	176	210	240	18	155	230	8-18
60	135	176	210	240	20	170	245	8-18
70	135	176	210	240	20	170	260	8-18
80	155	204	240	275	25	175	270	8-22
90	190	234	270	305	24	185	290	8-22
100	190	234	270	305	24	185	280	8-22
110	215	260	295	330	24	205	310	8-22
120	215	260	295	330	24	205	305	8-22
130	215	260	295	330	24	205	310	8-22
140	250	313	350	395	24	205	320	12-22
160	265	313	350	395	28	215	340	12-22
180	310	364	400	445	30	245	375	12-22
200	310	364	400	445	30	245	340	12-22
220	340	422	400	445	30	250	390	16-22

2009U、2010U型机械密封

2009U, 2010U mechanical seal

国家发明专利号: ZL 2008 2 0217943.x
Patent no.: ZL 2008 2 0217943.x

HG/T2057《搪玻璃搅拌容器用机械密封》标准制定单位
HG./T2057 Standard constitutor of glass lining mixing vessel mechanical seal



适用范围

Application
立式搪玻璃反应釜。
Vertical glass lining reactor

使用参数

OPERATION PARAMETERS

设计压力: PN-0.1~1.6MPa
Design pressure: PN-0.1~1.6MPa
设计温度: -40~180°C
Design temperature: -40~180°C
设计转速: 2m/s
Design rotating speed: 2m/s
轴径: 40~160mm
Shaft diameter: 40~160mm
介质: 除氢氟酸以外的强腐蚀性工况。
Medium: Suitable for a variety of highly corrosive working conditions excluding hydrofluoric acid.

结构特点

集装式结构传动无方向性。
结构紧凑适用于标准机架。
冷却系统的综合考虑保证密封良好的运行环境。
介质接触部材料耐强腐蚀。
压力超过0.3MPa需配辅助装置。

Structure features

Cartridge structure, modularization design and Non-directional transmission. Compact structure applies to standard mounting frames. Cooling system ensures good running. Bearing configuration depends on mounting frame size. Auxiliary device is needed if the working pressure exceeds 0.3Mpa.

易损件明细

Wearing parts details

1. 垫片
Gasket
2. 静环座
stationary ring retainer
3. 介质端静环O型圈
O ring for Stationary ring
4. 介质端静环
Stationary ring
5. 介质端动环
Rotary ring
6. 介质端动环O型圈
O ring for rotary ring
7. 弹簧
Springs
8. 大气端动环O型圈
O ring for rotary ring
9. 大气端动环
rotary ring
10. 大气端静环
Stationary ring
11. 大气端静环O型圈
O ring for stationary ring
12. 密封箱体O型圈
O ring for housing
13. 轴套O型圈
O ring for shaft sleeve
14. 骨架油封
Framework oil seal
15. 轴承
Bearing

管口明细

Orifice details

- A. 密封液进口
Sealing liquid inlet
- B. 密封液出口
Sealing liquid outlet
- C. 泄漏液出口
Leakage outlet
- D. 轴承注油口
Oil inlet for bearing
- E. 冷却水进口
Cooling water inlet
- F. 冷却水出口
Cooling water outlet

d	d1		d0		D		L1	L2	n-φ	
	欧洲标准	91标准	欧洲标准	91标准	欧洲标准	91标准			欧洲标准	91标准
40	110	109	145	145	175	185	235	155	4-18	4-18
50	176	149	210	180	240	220	250	160	8-18	8-18
60	204	175	240	210	275	250	260	170	8-22	8-18
65	234	175	270	210	305	250	300	180	8-22	8-18
80	234	175	270	210	305	250	300	180	8-22	8-18
95	313	203	350	240	395	285	300	190	12-22	8-18
100	313	203	350	240	395	285	300	190	12-22	8-18
110	422	259	460	295	505	340	310	215	12-22	8-22
125	422	259	460	295	505	340	310	215	12-22	8-22
140	422	324	460	350	505	395	325	220	12-22	12-22
160	422	324	460	350	505	395	335	225	12-22	12-22