

## 2006B型机械密封

2006B mechanical seal

发明专利号:2011 2 0020843.X 2011 2 0020919.9  
Patent no.: 2011 2 0020863.7

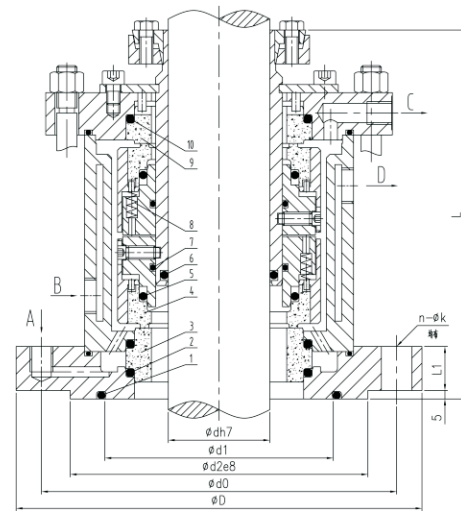
取代: M205U型.M206U型.M207B型.2004U型  
Instead of M205U, M206U, M207B, 2004U



## 模块化设计

Modularized design

HG/T2269《釜用机械密封技术条件》标准制定单位  
HG./T2269 Standard constitutor of Reactor mechanical seal technical conditions



### 适用范围

Application  
立式反应釜。  
Vertical reactor

### 使用参数

#### OPERATION PARAMETERS

设计压力: PN=0.1~2.5MPa  
Design pressure: PN=0.1~2.5MPa

当压力超过0.5MPa时需配置辅助系统。  
Auxiliary device is needed if the working pressure exceeds 0.5MPa.

设计温度: -40~180°C (320°C)  
Design temperature: -40~180°C (320°C)

当温度超过180°C时需增加冷却水箱, 安装  
If the working temperature is above 180°C, A cooling plate should  
高度增加80mm  
is needed and the mounting height will increase by 80mm.

设计转速: 2m/s  
Design rotating speed: 2m/s

介质: 根据配置不同可适用于强腐蚀性介质。  
Medium: Suitable for a variety of highly corrosive working  
conditions by different configurations.

### 结构特点

集装式结构, 模块化设计, 传动没有方向性。  
只需更换釜口部位的材质就可以适合不同介质的需要, 零件通用性强。  
下法兰按不同标准生产就可以适用不同标准的反应釜。

#### Structure features

Cartridge structure, modularization design and Non-directional transmission.  
Suitable for different mediums and different sizes by change the materials or sizes of the connecting flanges.

### 易损件明细

- Wearing parts details
1. 釜口密封圈  
Sealing ring for connection flange
  2. 静环密封圈  
Sealing ring for Stationary ring
  3. 介质端静环  
Stationary ring
  4. 动环  
Rotary ring
  5. 动环密封圈  
Sealing ring for rotary ring
  6. 轴套密封圈  
Sealing ring for shaft sleeve
  7. 弹簧座密封圈  
Sealing ring for spring retainer
  8. 弹簧  
Spring
  9. 大气端静环  
Stationary ring
  10. 大气端静环密封圈  
Sealing ring for Stationary ring

### 管口明细

- Orifice details
- A. 密封液进口  
Sealing liquid inlet
  - B. 冷却液进口  
Cooling liquid inlet
  - C. 密封液出口  
Sealing liquid outlet
  - D. 冷却液出口  
Cooling liquid outlet

d	d1	d2	d0	D	L1	L	n-φ
30	75	110	145	175	22	180	4-18
40	75	110	145	175	22	180	4-18
50	135	176	210	240	22	180	8-18
60	135	176	210	240	26	230	8-18
70	135	176	210	240	26	230	8-18
80	155	204	240	275	26	230	8-22
90	190	234	270	305	26	230	8-22
100	190	234	270	305	26	230	8-22
110	215	260	295	330	26	230	8-22
120	215	260	295	330	26	230	8-22
130	215	260	295	330	26	230	8-22
140	250	313	350	395	30	235	12-22
150	265	313	350	395	30	235	12-22
160	265	313	350	395	30	235	12-22
180	310	364	400	445	30	245	12-22
200	310	364	400	445	30	245	12-22
220	340	422	460	505	30	245	16-22

## 2007B型机械密封

2007B mechanical seal

发明专利号:2011 2 0020843.X 2011 2 0020919.9  
Patent no.: 2011 2 0020863.7

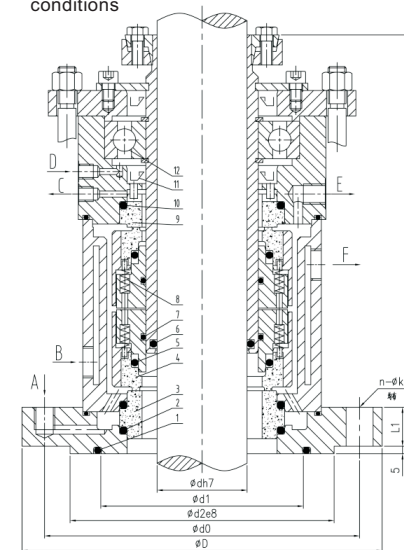
取代: M205U型.M206U型.M207B型.2005U型  
Instead of M205U, M206U, M207B, 2005U



## 模块化设计

Modularized design

HG/T2269《釜用机械密封技术条件》标准制定单位  
HG./T2269 Standard constitutor of Reactor mechanical seal technical conditions



### 适用范围

Application  
立式反应釜。  
Vertical reactor

### 使用参数

#### OPERATION PARAMETERS

设计压力: PN=0.1~2.5MPa  
Design pressure: PN=0.1~2.5MPa

当压力超过0.5MPa时需配置辅助系统。  
Auxiliary device is needed if the working pressure exceeds 0.5MPa.

设计温度: -40~180°C (320°C)  
Design temperature: -40~180°C (320°C)

当温度超过180°C时需增加冷却水箱, 安装  
If the working temperature is above 180°C, A cooling plate should  
高度增加80mm  
is needed and the mounting height will increase by 80mm.

设计转速: 2m/s  
Design rotating speed: 2m/s

介质: 根据配置不同可适用于强腐蚀性介质。  
Medium: Suitable for a variety of highly corrosive working  
conditions by different configurations.

### 结构特点

集装式结构, 模块化设计, 传动没有方向性。  
只需更换釜口部位的材质就可以适合不同介质的需要, 零件通用性强。  
下法兰按不同标准生产就可以适用不同标准的反应釜。

#### Structure features

Cartridge structure, modularization design and Non-directional transmission.  
Suitable for different mediums and different sizes by change the materials or sizes of the connecting flanges.

### 易损件明细

- Wearing parts details
1. 釜口密封圈  
Sealing ring for connection flange
  2. 静环密封圈  
Sealing ring for Stationary ring
  3. 介质端静环  
Stationary ring
  4. 动环  
Rotary ring
  5. 动环密封圈  
Sealing ring for rotary ring
  6. 轴套密封圈  
Sealing ring for shaft sleeve
  7. 弹簧座密封圈  
Sealing ring for spring retainer
  8. 弹簧  
Spring
  9. 大气端静环  
Stationary ring
  10. 大气端静环密封圈  
Sealing ring for Stationary ring
  11. 骨架油封  
Framework oil seal
  12. 轴承  
Bearing

### 管口明细

- Orifice details
- A. 密封液进口  
Sealing liquid inlet
  - B. 冷却液进口  
Cooling liquid inlet
  - C. 泄漏出口  
Leakage outlet
  - D. 润滑液进口  
Lubricant inlet
  - E. 密封液出口  
Sealing liquid outlet
  - F. 冷却液出口  
Cooling liquid Outlet

d	d1	d2	d0	D	L1	L	n-φ
30	75	110	145	175	22	225	4-18
40	75	110	145	175	22	230	4-18
50	135	176	210	240	22	235	8-18
60	135	176	210	240	26	290	8-18
70	135	176	210	240	26	295	8-18
80	155	204	240	275	26	300	8-22
90	190	234	270	305	26	300	8-22
100	190	234	270	305	26	305	8-22
110	215	260	295	330	26	305	8-22
120	215	260	295	330	26	315	8-22
130	215	260	295	330	26	315	8-22
140	250	313	350	395	30	330	12-22
150	265	313	350	395	30	330	12-22
160	265	313	350	395	30	335	12-22
180	310	364	400	445	30	350	12-22
200	310	364	400	445	30	350	12-22
220	340	422	460	505	30	350	16-22