

2017B型机械密封

2017B mechanical seal

发明专利号: 2011 2 0020843.X

Patent no.: 2011 2 0020919.9
2011 2 0020863.7

取代: 2009U型 Instead of :2009U



适用范围

Application
立式反应釜。
Vertical reactor

使用参数

OPERATION PARAMETERS

设计压力: PN-0.1~2.5MPa

Design pressure: PN-0.1~2.5MPa

当压力超过0.5MPa时需配置辅助系统。

Auxiliary device is needed if the working pressure exceeds 0.5Mpa.

设计温度: -40~180°C (320°C)

Design temperature: -40~180°C (320°C)

当温度超过180°C时须增加冷却水箱, 安装高度增加80mm

If the working temperature is above 180°C, A cooling plate should is needed and the mounting height will increase by 80mm.

设计转速: 2m/s

Design rotating speed: 2m/s

介质: 根据配置不同可适用于强腐蚀性介质。

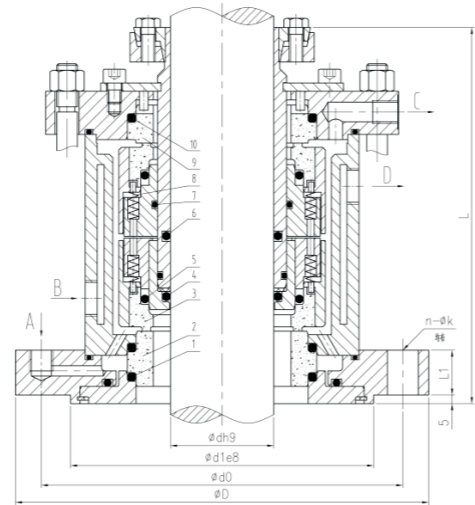
Medium: Suitable for a variety of highly corrosive working conditions by different configurations

d	d1	d0	D	L1	L	n-Φ
30	109	145	185	22	180	4-18
40	109	145	185	22	180	4-18
50	149	180	220	22	180	8-18
60	175	210	250	26	230	8-18
65	175	210	250	26	230	8-18
70	175	210	250	26	230	8-18
80	175	210	250	26	230	8-18
90	203	240	285	26	230	8-18
95	203	240	285	26	230	8-18
100	203	240	285	26	230	8-18
110	259	295	340	26	230	8-22
125	259	295	340	26	230	8-22
130	259	295	340	26	230	8-22
140	324	350	395	30	245	12-22
150	324	350	395	30	245	12-22
160	324	350	395	30	245	12-22

模块化设计

Modularized design

HG/T2057《搪玻璃搅拌容器用机械密封》标准制定单位
HG./T2057 Standard constitutor of glass lining mixing vessel mechanical seal



结构特点

集装式结构, 模块化设计, 传动没有方向性。
只需更换釜口部位的材质就可以适合不同介质的需要, 零件通用性强。
下法兰按不同标准生产就可以适用不同标准的反应釜。

Structure features

Cartridge structure, modularization design and Non-directional transmission.
Suitable for different mediums and different sizes by change the materials or sizes of the connecting flanges.

易损件明细

Wearing parts details

1. 静环密封圈
Sealing ring for Stationary ring
2. 介质端静环
Stationary ring
3. 动环
Rotary ring (Medium end)
4. 弹簧座镶环密封圈
Sealing ring for shrink fit ring
5. 动环密封圈
Sealing ring for rotary ring
6. 轴套密封圈
Sealing ring for shaft sleeve
7. 弹簧座密封圈
Sealing ring for spring retainer
8. 弹簧
Springs
9. 大气端静环
Stationary ring
10. 大气端静环密封圈
Sealing ring for stationary ring

管口明细

Orifice details

- A. 密封液进口
Sealing liquid inlet
- B. 冷却液进口
Cooling liquid inlet
- C. 密封液出口
Sealing liquid outlet
- D. 冷却液出口
Cooling liquid outlet

2018B型机械密封

2018B mechanical seal

发明专利号: 2011 2 0020843.X

Patent no.: 2011 2 0020919.9
2011 2 0020863.7

取代: 2010U型 Instead of 2010U



适用范围

Application
立式反应釜。
Vertical reactor

使用参数

OPERATION PARAMETERS

设计压力: PN-0.1~2.5MPa

Design pressure: PN-0.1~2.5MPa

当压力超过0.5MPa时需配置辅助系统。

Auxiliary device is needed if the working pressure exceeds 0.5Mpa.

设计温度: -40~180°C (320°C)

Design temperature: -40~180°C (320°C)

当温度超过180°C时须增加冷却水箱, 安装高度增加80mm

If the working temperature is above 180°C, A cooling plate shouldis needed and the mounting height will increase by 80mm.

设计转速: 2m/s

Design rotating speed: 2m/s

介质: 根据配置不同可适用于强腐蚀性介质。

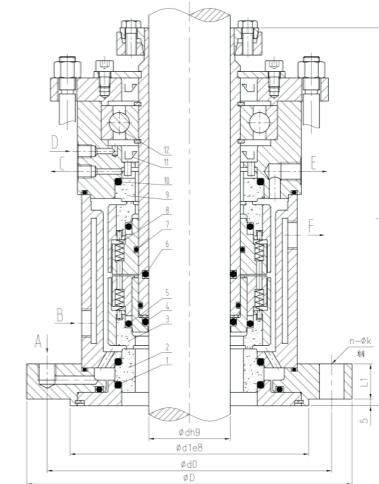
Medium: Suitable for a variety of highly corrosive working conditions by different configurations

d	d1	d0	D	L1	L	n-Φ
30	109	145	185	22	225	4-18
40	109	145	185	22	230	4-18
50	149	180	220	22	235	8-18
60	175	210	250	26	290	8-18
65	175	210	250	26	295	8-18
70	175	210	250	26	295	8-18
80	175	210	250	26	300	8-18
90	203	240	285	26	300	8-18
95	203	240	285	26	305	8-18
100	203	240	285	26	305	8-18
110	259	295	340	26	305	8-22
125	259	295	340	26	315	8-22
130	259	295	340	26	315	8-22
140	324	350	395	30	330	12-22
150	324	350	395	30	330	12-22
160	324	350	395	30	335	12-22

模块化设计

Modularized design

HG/T2057《搪玻璃搅拌容器用机械密封》标准制定单位
HG./T2057 Standard constitutor of glass lining mixing vessel mechanical seal



结构特点

集装式结构, 模块化设计, 传动没有方向性。
只需更换釜口部位的材质就可以适合不同介质的需要, 零件通用性强。
下法兰按不同标准生产就可以适用不同标准的反应釜。

Structure features

Cartridge structure, modularization design and Non-directional transmission.
Suitable for different mediums and different sizes by change the materials or sizes of the connecting flanges.

易损件明细

Wearing parts details

1. 静环密封圈
Sealing ring for Stationary ring
2. 介质端静环
Stationary ring
3. 动环
Rotary ring
4. 弹簧座镶环密封圈
Sealing ring for shrink fit ring
5. 动环密封圈
Sealing ring for rotary ring
6. 轴套密封圈
Sealing ring for shaft sleeve
7. 弹簧座密封圈
Sealing ring for spring retainer
8. 弹簧
Springs
9. 大气端静环
Stationary ring
10. 大气端静环密封圈
Sealing ring for stationary ring
11. 骨架油封
Framework oil seal
12. 轴承
Bearing

管口明细

Orifice details

- A. 密封液进口
Sealing liquid inlet
- B. 冷却液进口
Cooling liquid inlet
- C. 泄漏液出口
Leakage outlet
- D. 润滑液进口
Lubricant inlet
- E. 密封液出口
Sealing liquid outlet
- F. 冷却液出口
Cooling liquid outlet