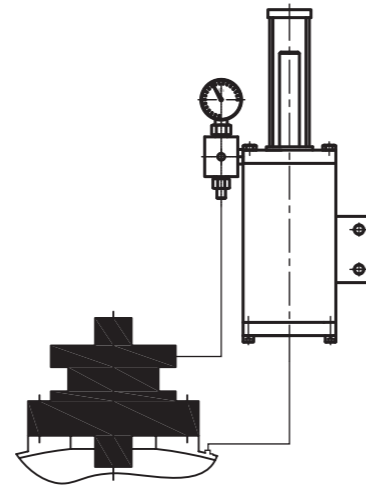


## FMY.Z型机械密封增压辅助系统

FMY.G Auxiliary heat exchange system



### 主要用途

主要用于釜用双端面机械密封的封液闭路循环中，对密封液进行加压和补液，利用活塞原理使密封腔内压力与釜内压力呈一定比例，并且具有类似的阻尼作用，从而保证机械密封在平稳状态下工作。

**Application:** Mainly applied to closed-circuit liquid seal cycling for cauldron-using mechanical seal, which imposes greater pressure and liquid compensation sealing liquid. Under the effect of piston mechanism, the pressure inside seal cavity will be in a certain proportion with the cauldron pressure to result in damping-like action, so as to ensure that mechanical seals work smoothly under stable conditions.

### 使用参数

设计压力:

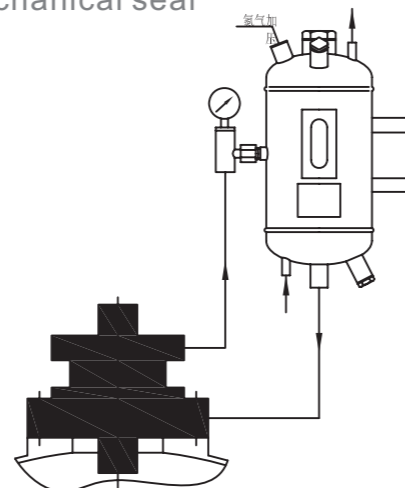
FMY.Z-40型PN0~4.0MPa  
FMY-Z-100 Working pressure:PN 0-1.0MPa  
FMY.Z-64型PN0~6.4MPa  
FMY-Z-64 Working pressure:PN 0-6.4MPa  
FMY.Z-100型PN0~10.0MPa  
FMY-Z-40 Working pressure:PN 0-4.0MPa

设计温度: -60~200°C  
Working temperature: -60~150°C

注: FMY.Z-40不带冷却盘管。  
Note: No cooling coil pipes are required Type FMY-Z-40.

## FMY.G型机械密封换热辅助系统

FMY.G Heat exchange auxiliary system for mechanical seal



### 主要用途

主要用于高温、低压机械密封的封液循环冷却，  
To circulate and cool the sealing liquid of high temperature  
封堵介质泄漏。  
& low pressure mechanical seals. Also it can prevent medium  
from leaking.

### 使用参数

OPERATION PARAMETERS

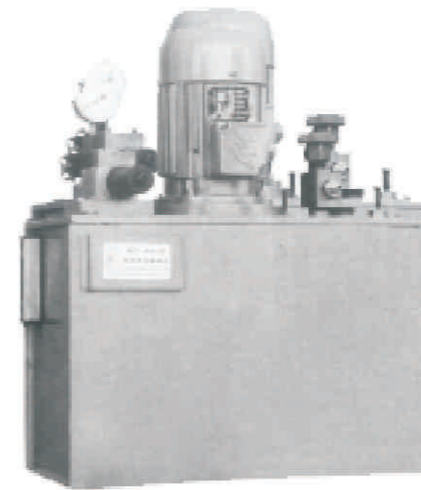
设计压力: 0~1.6MPa  
Design pressure: 0~1.6MPa

设计温度: -60~200°C  
Design temperature: -60~200°C

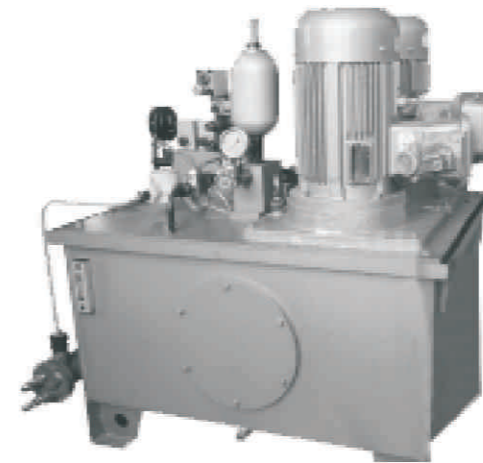
封液: 机油、甘油、水。  
Sealing liquid: Engine oil, glycerol and water.

## JMY40,JMY100型液压泵站辅助装置

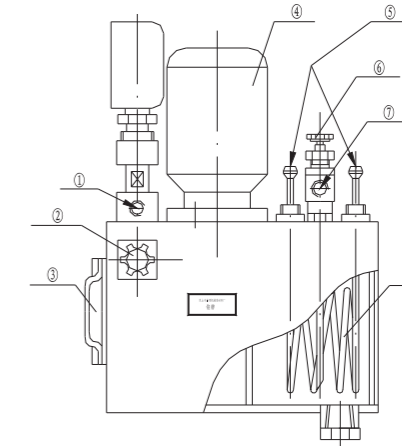
JMY40,JMY100Hydraulic Pump Station Auxiliaries



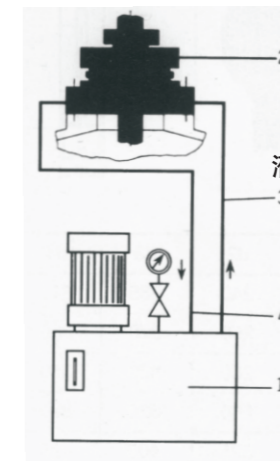
JMY 40



JMY 100



- 1.接机械密封出口  
to mechanical seal outlet
- 2.溢流阀  
overflow valve
- 3.长型油标  
square oil gage
- 4.冷却水进出口  
cooling water inlet/outlet
- 5.直角针阀  
Angle needle valve
- 6.接机械密封出口  
to mechanical seal outlet
- 7.冷却水盘管  
cooling water coil pipe



液压泵站与集装密封连接示意图

Diagram for connecting  
Hydraulic Pump Station  
with Centaizde Seal

### 使用说明

### OPERATION EXPLAIN

1.本装置与双端面机械密封配套。

This unit is used together with the dual-end mechanical Seal.

2.用金属软管按图示与机械密封相连。

Connect the flexible metal tubing with the mechanical seal as shown in the figures.

3.使用时调整溢流阀和直角针阀使泵站压力比机械密封压力高0.1MPa。

For normal operation, please adjust the overflow valves and the angle needle valves to maintain the pump station pressure 0.1MPa higher than the mechanical seal pressure.

4.液压泵站内必须使用润滑油(机油或甘油)。

Make sure to use lubricants(engine oil or glycerin) inside the hydraulic pump station.

5.JMY40型压力调节范围0.5~4.0MPa。

JMY100型压力调节范围0.5~10MPa。

For type JMY 40, pressure regulation ranges between 0.5 to 4.0MPa.

For type JMY 100, pressure regulation ranges between 0.5 to 10.0MPa.