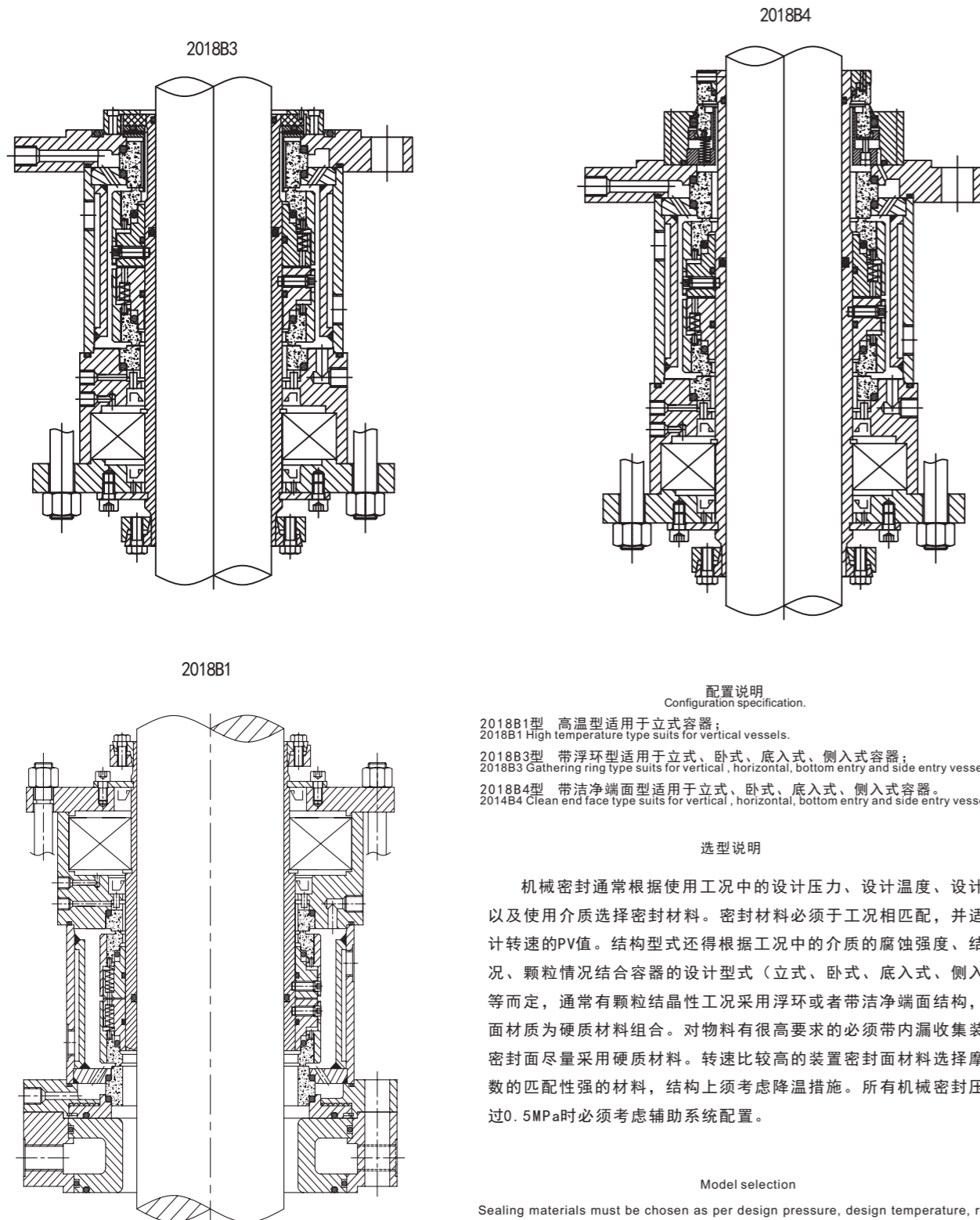


特种机械密封

Special mechanical seal



配置说明
Configuration specification.

2018B1型 高温型适用于立式容器;
2018B1 High temperature type suits for vertical vessels.
2018B3型 带浮环型适用于立式、卧式、底入式、侧入式容器;
2018B3 Gathering ring type suits for vertical, horizontal, bottom entry and side entry vessels.
2018B4型 带洁净端面型适用于立式、卧式、底入式、侧入式容器。
2018B4 Clean end face type suits for vertical, horizontal, bottom entry and side entry vessels.

选型说明

机械密封通常根据使用工况中的设计压力、设计温度、设计转速以及使用介质选择密封材料。密封材料必须于工况相匹配，并适合设计转速的PV值。结构型式还得根据工况中的介质的腐蚀强度、结晶情况、颗粒情况结合容器的设计型式（立式、卧式、底入式、侧入式）等而定，通常有颗粒结晶性工况采用浮环或者带洁净端面结构，密封面材质为硬质材料组合。对物料有很高要求的必须带内漏收集装置，密封面尽量采用硬质材料。转速比较高的装置密封面材料选择摩擦系数的匹配性强的材料，结构上须考虑降温措施。所有机械密封压力超过0.5MPa时必须考虑辅助系统配置。

Model selection

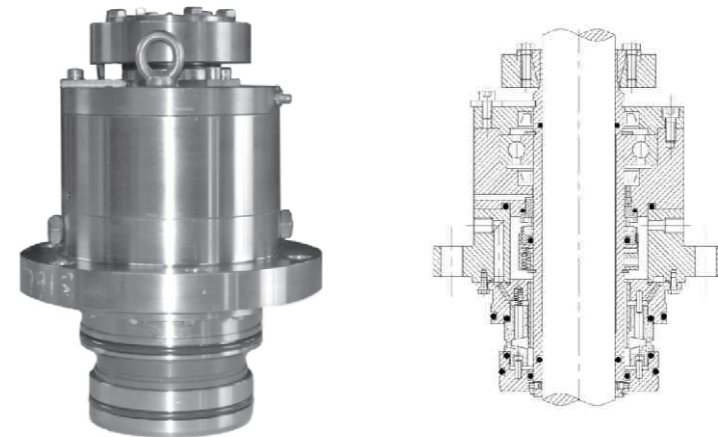
Sealing materials must be chosen as per design pressure, design temperature, rotating speed and medium type. Sealing material must be suitable for relevant working conditions. The structure (vertical, horizontal, bottom entry or side entry) of mechanical seal according to the corrosivity, crystallinity and granularity of the medium. Usually, Working condition with granule or crystal adopts cleaning end face type, meanwhile, the end face of mechanical seal should use hard materials. Impurity collector applies to the proof impurity mediums, and the end face also should choose hard materials. Low friction materials are suitable for high speed running mechanical seals. Also temperature factor should be taken consideration. Auxiliary devices must be included if the pressure exceeds 0.5Mpa.

新品推荐

New Product

脱硫装置专用机械密封

Parameters for mechanical seals specially used on desulphurization equipment

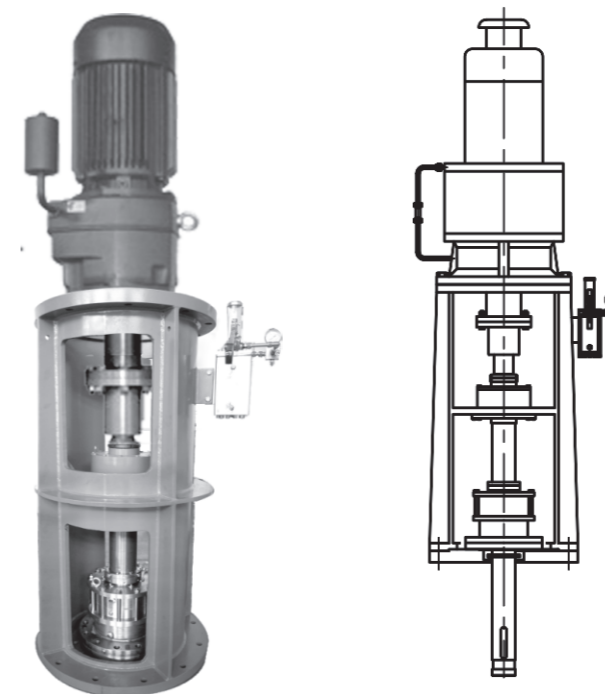


使用参数
Operation Parameters

压力 $\leq -0.1 \sim 1.6$ MPa
温度 $\leq 180^\circ\text{C}$
介质: 硫化氢, 等有微颗粒介质
转速: ≤ 10 m/s
Pressure $\leq -0.1 \sim 1.6$ MPa,
Temperature $\leq 180^\circ\text{C}$
Medium: sulfureted hydrogen and others with microparticle
Rotation speed ≤ 10 m/s

聚丙烯专业传动密封装置

Parameters for mechanical seals applied to polypropylene medium



使用参数
OPERATION PARAMETERS

压力 $\leq 0.1 \sim 4.0$ MPa
温度 $\leq 180^\circ\text{C}$
介质: 聚丙烯, 丙烯等其他聚合物介质
转速: ≤ 200 rpm
Pressure $\leq 0.1 \sim 4.0$ MPa,
Temperature $\leq 180^\circ\text{C}$
Medium: polypropylene propylene and other polymer
Rotation speed ≤ 200 rpm